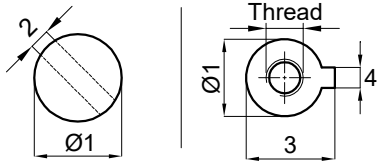


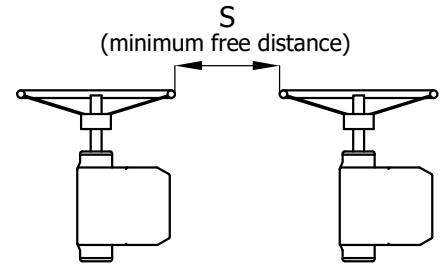
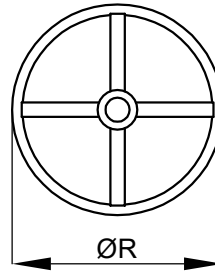
GEARBOX FILL IN SHEET

FORM: AE0054174 REV: 2018-04-06

[1] Highlight Input Shaft and fill in dimensions [mm]
(remove handwheel before measuring)



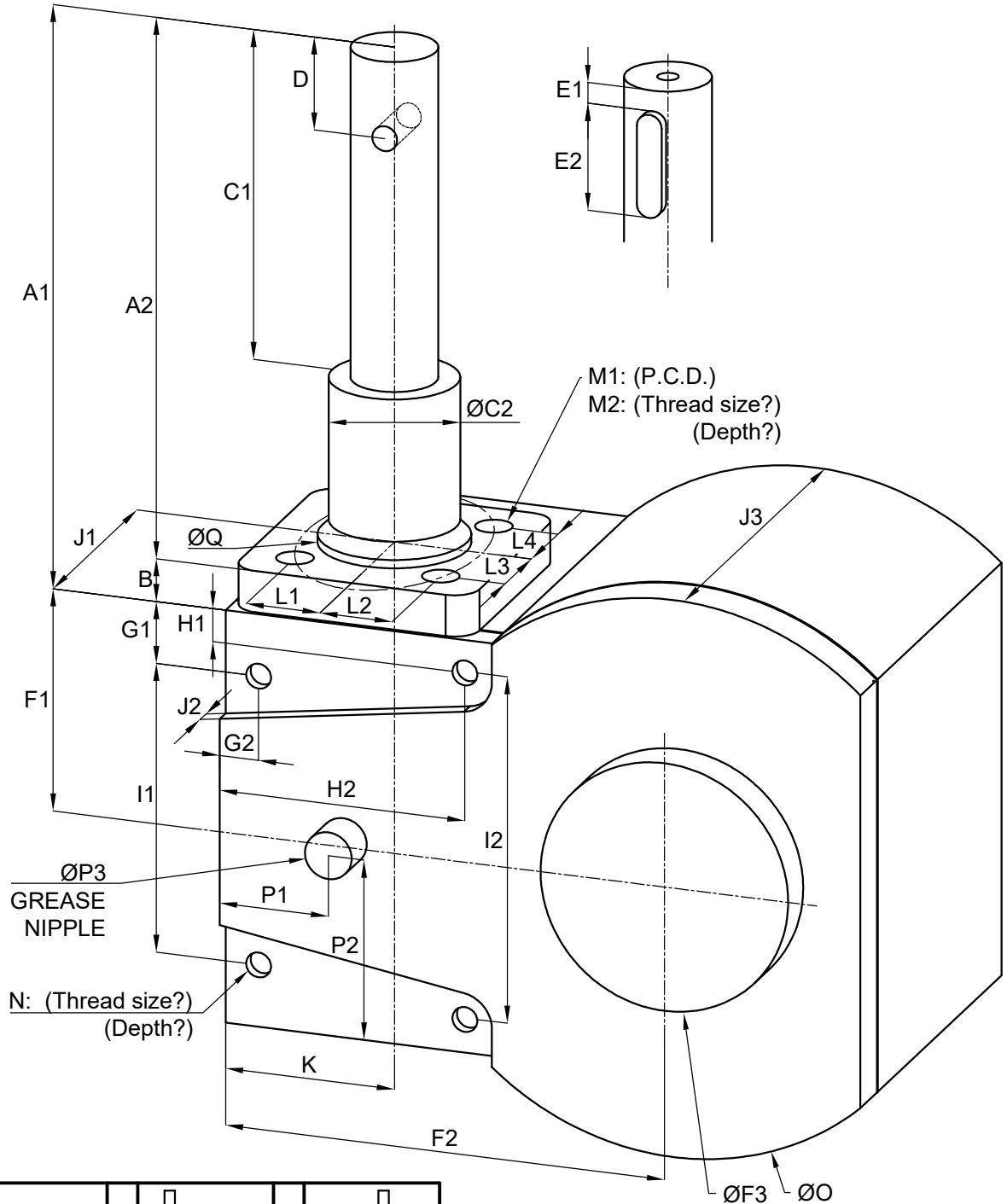
Other Shape:



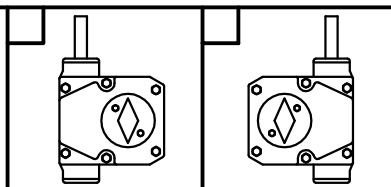
Ø1		3		Thread	
2		4		Depth	

[2] Fill in dimensions [mm]

A1	
A2	
B	
C1	
ØC2	
D	
E1	
E2	
F1	
F2	
ØF3	
G1	
G2	
H1	
H2	
I1	
I2	
J1	
J2	
J3	
K	
L1	
L2	
L3	
L4	
M1	
M2	
N	
ØO	
P1	
P2	
ØP3	
ØQ	
ØR	
S	



[3] Indicate applicable view



Brand/Make:	Sofis Ref. No.:
Size/Pressure class:	Measured by:
Field ID:	Date:
Number of turns:	Sketch Number: