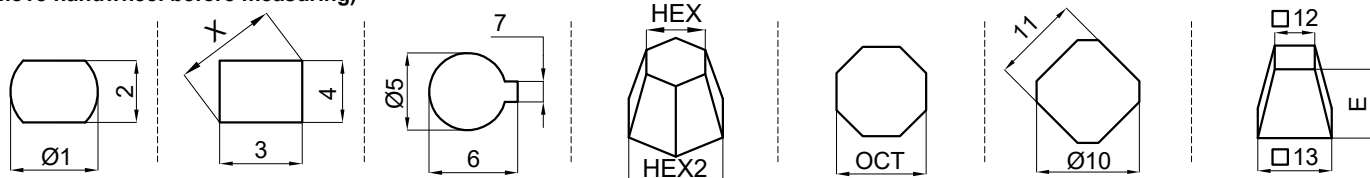


[1] Highlight Yoke Sleeve and fill in dimensions [mm]
(remove handwheel before measuring)

GATE VALVE VPI SERIES FILL IN SHEET

FORM: AE0054171 REV: 2018-04-06



Ø1		3		Ø5		HEX		OCT		Ø10		□12	
2		4		6		HEX2				11		□13	
		X		7									

[2] Fill in dimensions [mm]

ØA		Q	
ØB		ØR	
C		S	
D		T	
E		U	
F		pitch	
P			

[3] Dimensions greater than shown in below table equals large VPI

ØA > 27mm	Ø5 > 40mm
ØB > 36mm	HEX > 41mm
Ø1 > 42mm	OCT > 42mm
X > 45mm	Ø10 > 45mm

Small or Large:

[4] Adaptor height selection

Choose one size bigger adaptor than dimension (T).
See standard adaptor list below:

VPI Small:	VPI Large:
- 22mm	- 34mm
- 29mm	- 40mm
- 40mm	- 50mm
- 50mm	

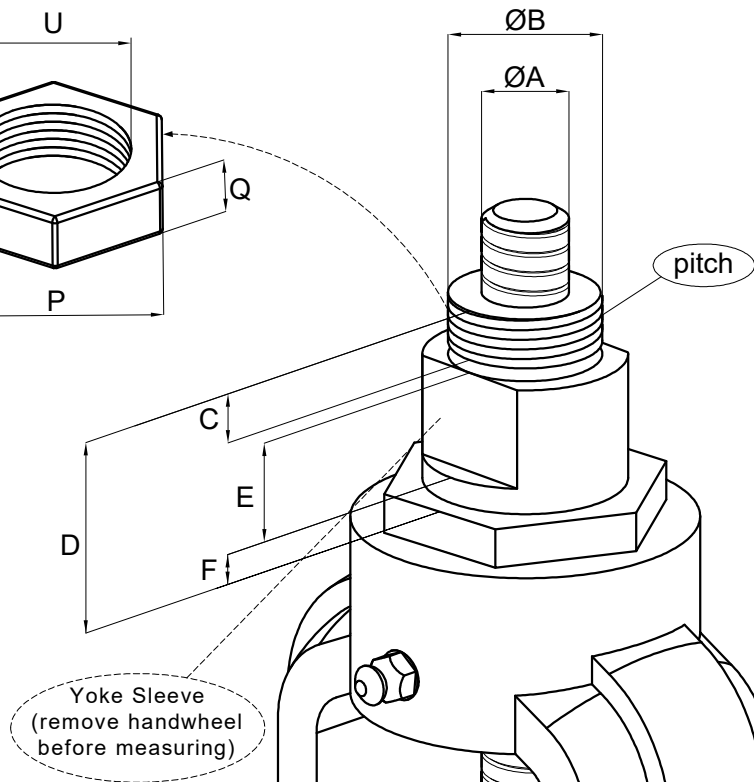
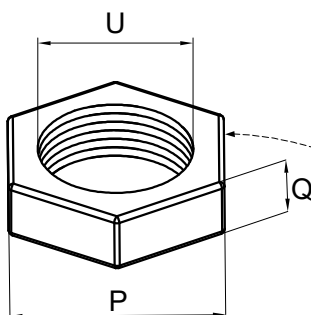
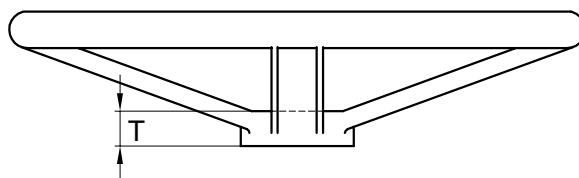
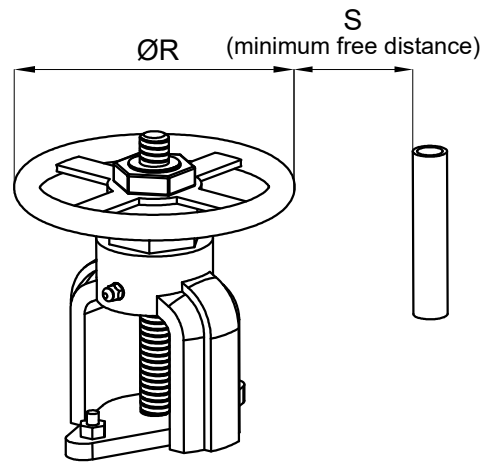
Adaptor height:

* If selection is not possible, contact sofis

[5] New nut required, when:

- VPI Small:	P > 41mm
- VPI Large:	P > 90mm
- No nut on site	P = N/A

Required: Y/N



	Brand/Make:	Sofis Ref. No.:
	Size/Pressure class:	Measured by:
	Field ID:	Date:
	Number of turns:	Sketch Number: