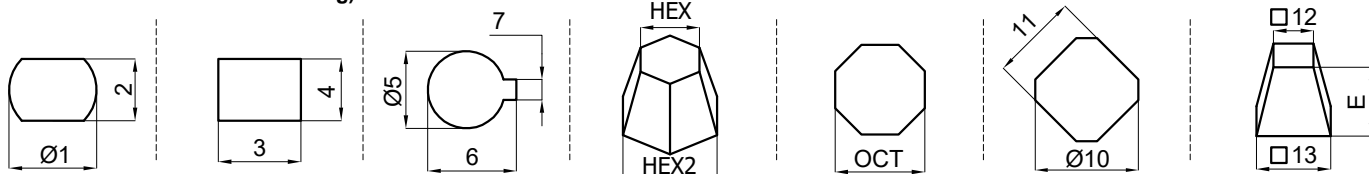


[1] Highlight Yoke Sleeve and fill in dimensions [mm]
(remove handwheel before measuring)

GLOBE VALVE FILL IN SHEET

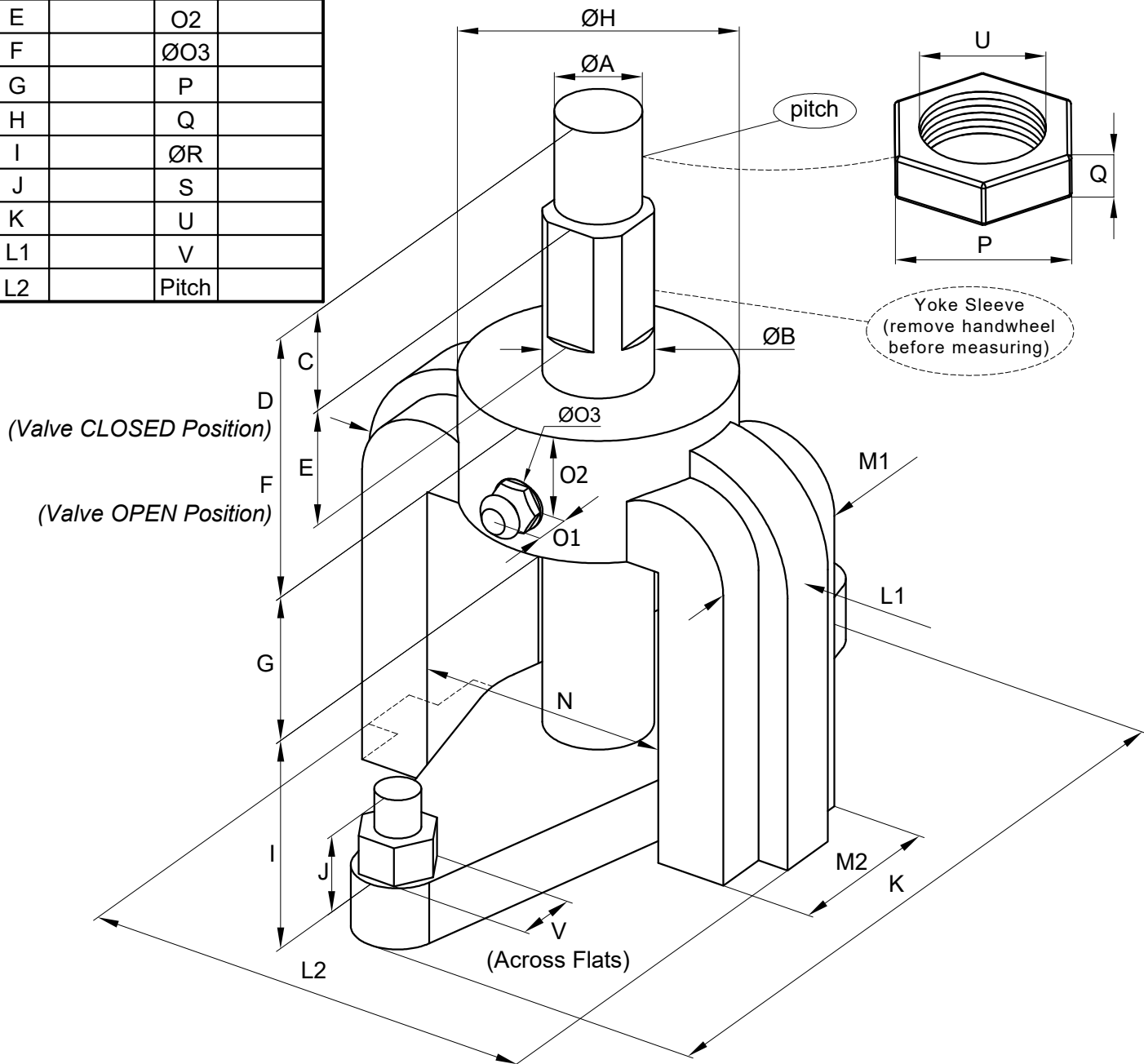
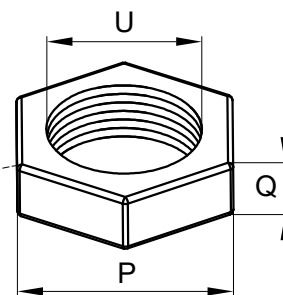
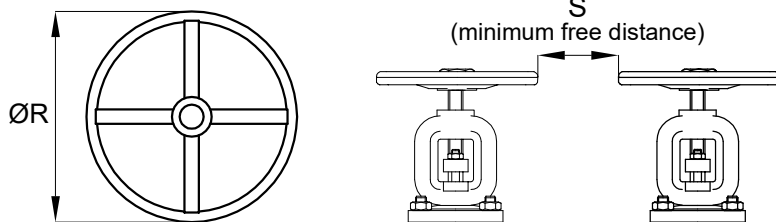
FORM: AE0054172 REV: 2018-04-06




Ø1	3	Ø5	HEX	OCT	Ø10	□12
2	4	6	HEX2		11	□13
		7				

[2] Fill in dimensions [mm]

ØA	M1
ØB	M2
C	N
D	O1
E	O2
F	ØO3
G	P
H	Q
I	ØR
J	S
K	U
L1	V
L2	Pitch



	Brand/Make:	Sofis Ref. No.:
	Size/Pressure class:	Measured by:
	Field ID:	Date:
	Number of turns:	Sketch Number: