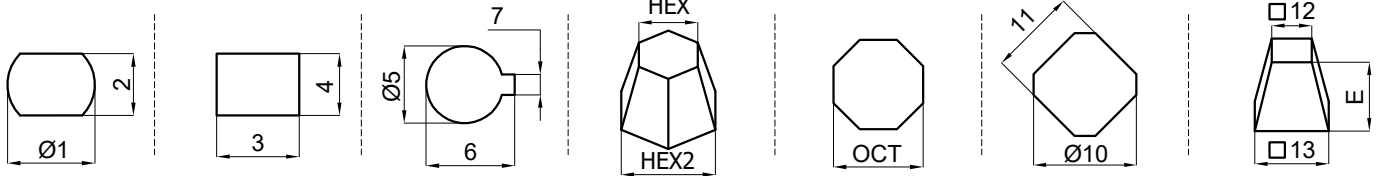


**[1] Highlight Yoke Sleeve and fill in dimensions [mm]**  
(remove handwheel before measuring)

# GATE VALVE FILL IN SHEET

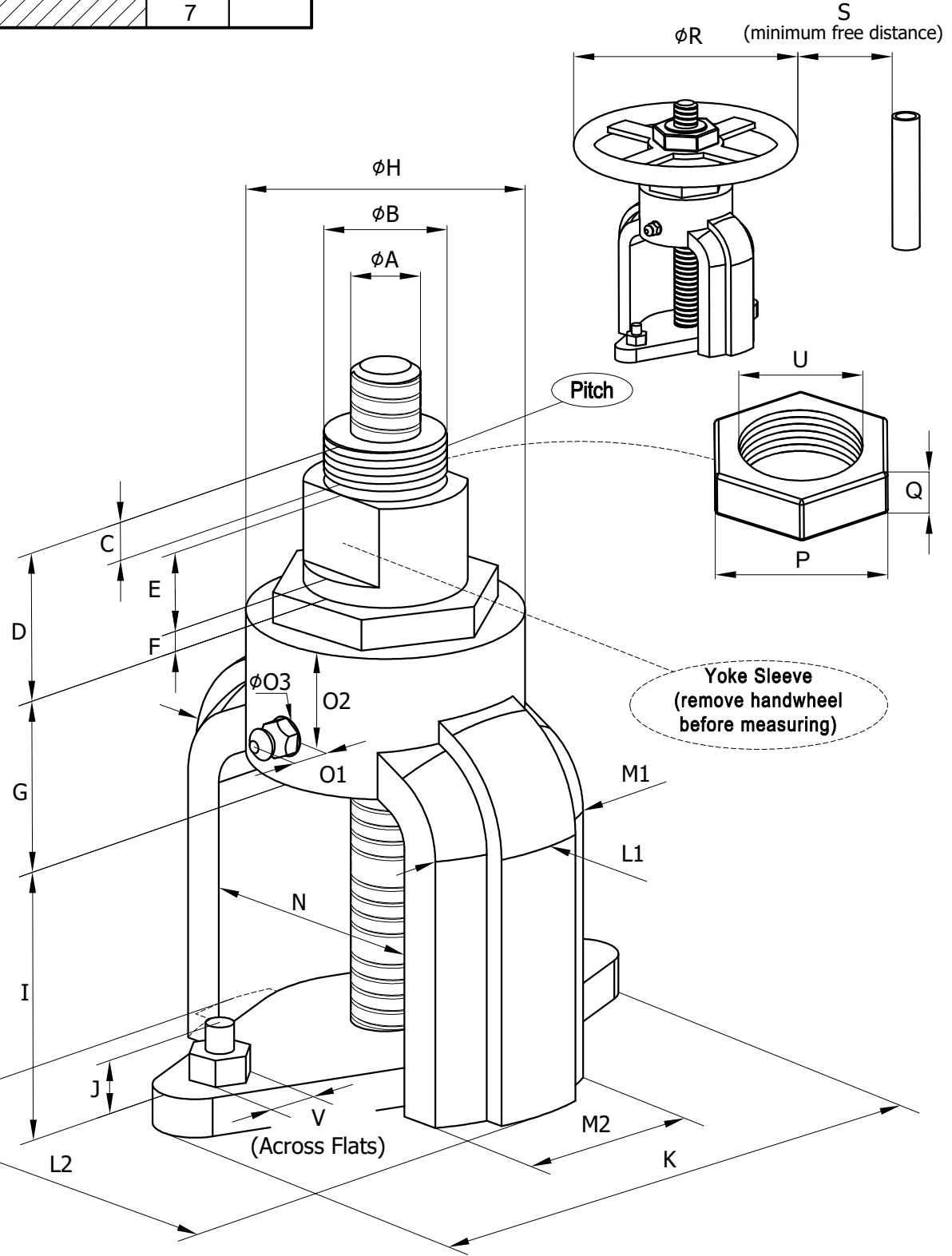
FORM: AE0054175 REV: 2018-04-06



Ø1	3	Ø5	HEX	OCT	Ø10	□12
2	4	6	HEX2		11	□13
		7				

**[2] Fill in dimensions [mm]**

ØA
ØB
C
D
E
F
G
H
I
J
K
L1
L2
M1
M2
N
O1
O2
ØO3
P
Q
ØR
S
U
V
Pitch



	Brand/Make:	Sofis Ref. No.:
	Size/Pressure class:	Measured by:
	Field ID:	Date:
	Number of turns:	Sketch Number: