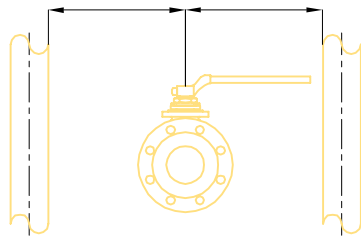
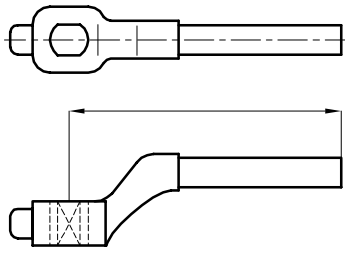


# BALLVALVE FILL-IN SHEET

FORM. AE0057679  
REV. 2017-02-23

LEVER (or WRENCH)

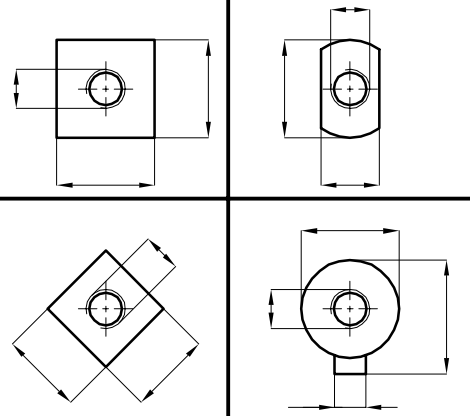
AVAILABLE SPACING BETWEEN VALVE AND PIPING



ONLY IF SPACING  $\geq$  LEVER + 50 mm

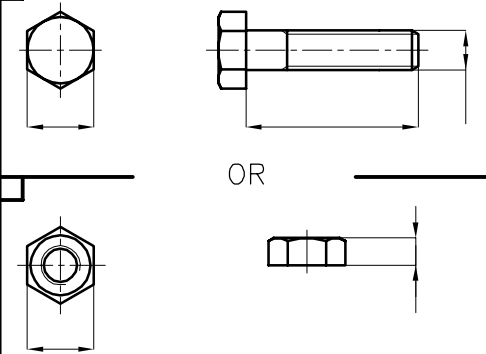
SPECIFY SHAPE AND SIZE OF STEM IN CLOSED STATE

DIRECTION OF FLOW  $\rightarrow$



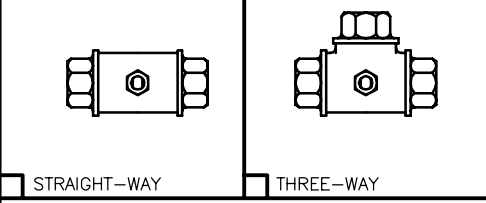
Other Shape:

SPECIFY SORT AND SIZE OF LEVER FASTENING



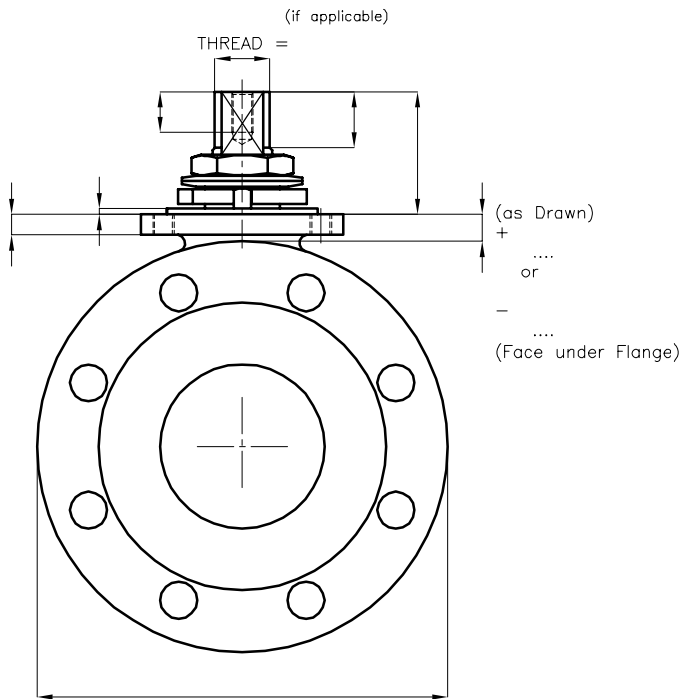
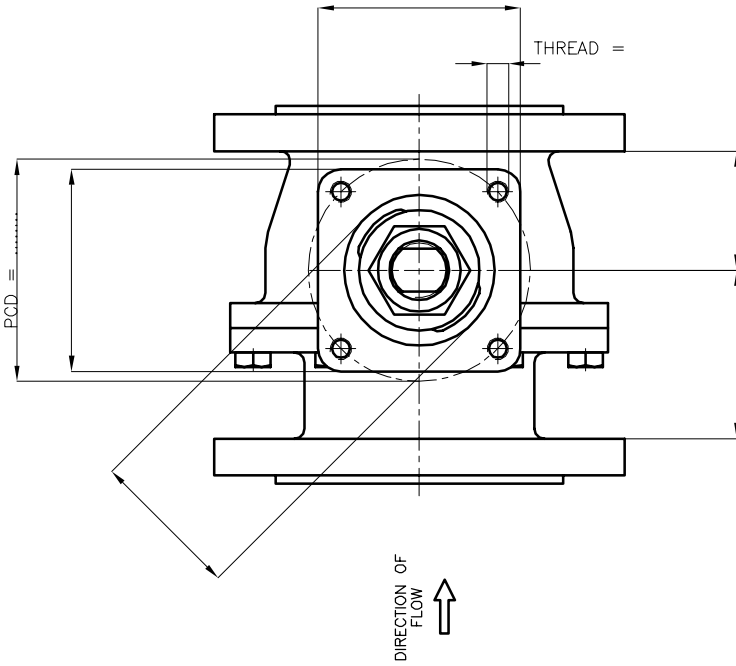
INDICATE APPLICABLE TYPE

90° -Turn | 180° -Turn



STRAIGHT-WAY

THREE-WAY



CLIENT:

PROJECT:

P.O. No:

Valve / Tagno.

Measured by:

Date:

Sketchnr.



Brand / Make:

Size:

Class: